



PROJECT NAME: _____

LOCATION: _____

ITEM: _____ QTY: _____

MODEL: _____

GAS HOT PLATE SRHP SERIES

SRHP212 | SRHP424 | SRHP636
SRHP848 | SRHP1060



SRHP424

Sierra Series Gas Hot Plate was developed to provide the best cooking experience, combining high standard of quality, performance and durability to satisfy all professional kitchens demands.

STANDARD FEATURES

- Available in 12" (305 mm), 24" (610 mm), 36" (915 mm), 48" (1,220 mm) and 60" (1,525 mm) width.
- Stainless steel front and sides.
- 12" x 12" cast iron top grates designed for easy movement of pots across top sections.
- Deflectors to direct waste to crumb/drip pan.
- Orange paint injected aluminum knobs providing for better toughness and durability.
- 1- year parts and labor warranty.
- 4" adjustable chromed carbon steel legs.
- Easily removable stainless steel grease trap.
- Units are shipped ready for Natural Gas(NG). A Propane Gas(LP) conversion kit and NG/LP regulator is supplied with the unit.
- Griddle grease trap capacity:

COLLECTING GREASE TRAY CAPACITY	MODEL				
	SRHP212	SRHP424	SRHP636	SRHP848	SRHP1060
	0.61 gal (2.3 L)	2.20 gal (8.4 L)	3.81 gal (14.4 L)	6.07 gal (23 L)	7.62 gal (28.8 L)

* Note: The HP1060 model has two grease trays with capacity of 3.81 gal (14.4L) in its structure.

ACCESSORIES/OPTIONAL

- Pressure Regulator
- Propane Gas(LP)/Natural Gas(NG) conversion kits.



SRTG042222



3560 NW 56th Street
Fort Lauderdale, FL 33309

Tel.: 786.600.4687 / Toll Free: 844.218.8477
Fax.: 786.661.4100

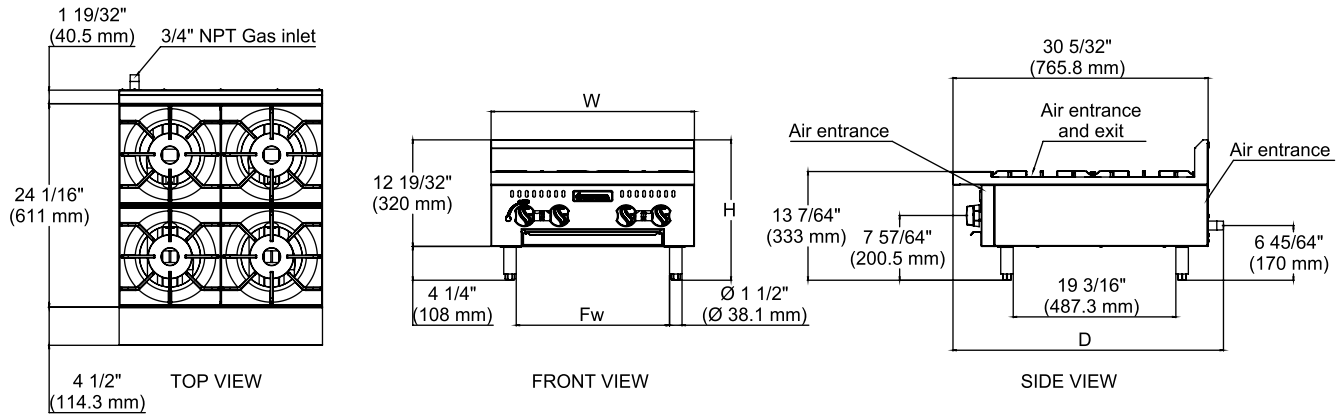


5659 Royalmount Avenue
Montreal, Qc, Canada H4P 2P9

Tel.: 514.737.9701 / Toll Free: 888.275.4538
Fax.: 514.342.3854 / Toll Free: 877.453.8832
sales@mvpgroupcorp.com



www.mvpgroupcorp.com



SPECIFICATIONS

Models	Exterior Product Dimensions & Weight					Shipping Crate Dimensions & Weight			
	Width (W)	Depth (D)	Height (H)	Fw	Weight	Width	Depth	Height	Weight
SRHP212	12" (305 mm)	32" (812.8 mm)	16 27/32" (428 mm)	9 5/64" (230.5 mm)	70 lb (32 kg)	16 9/64" (410 mm)	34 1/4" (870 mm)	18 1/2" (490 mm)	93 lb (42 kg)
SRHP424	24" (610 mm)	32" (812.8 mm)	16 27/32" (428 mm)	18 3/32" (459.5 mm)	121 lb (55 kg)	28 1/16" (715 mm)	34 1/4" (870 mm)	18 1/2" (470 mm)	154 lb (70 kg)
SRHP636	36" (915 mm)	32" (812.8 mm)	16 27/32" (428 mm)	31 9/32" (794.5 mm)	176 lb (80 kg)	40 1/32" (1020 mm)	34 1/4" (870 mm)	18 1/2" (470 mm)	218 lb (99 kg)
SRHP848	48" (1220 mm)	32" (812.8 mm)	16 27/32" (428 mm)	43 9/32" (1099.5 mm)	238 lb (108 kg)	52 31/32" (1320 mm)	34 1/4" (870 mm)	18 1/2" (470 mm)	298 lb (135 kg)
SRHP1060	60" (1525 mm)	32" (812.8 mm)	16 27/32" (428 mm)	55 19/64" (1404.5 mm)	300 lb (136 kg)	64 1/16" (1630 mm)	34 1/4" (870 mm)	18 1/2" (470 mm)	352 lb (160 kg)

UTILITY INFORMATION

Models	Burners	GAS SUPPLY		Manifold Pressure	
		Propane	Natural	Natural Gas	Propane Gas
		BTU/h	BTU/h		
SRHP212	2	50,000	50,000	4" W.C	10" W.C
SRHP424	4	100,000	100,000		
SRHP636	6	150,000	150,000		
SRHP848	8	200,000	200,000		
SRHP1060	10	250,000	250,000		

- 25,000 BTU/h burners, providing best performance.
- Manifold pressure is 4" W.C (Natural Gas) or 10" W.C (Propane Gas).
- 3/4" NPT rear gas connection and pressure regulator for both natural gas and propane.
- Check the altitude specifications above 2,000 ft.

* NOTE: In line with its policy to continually improve its product, Sierra Range reserves the right to change materials and specifications without notice.

INSTALLATION INSTRUCTIONS

A pressure regulator sized for this unit is included. The gas line connecting to the range must be 3/4" or larger. If flexible connectors are used, the inside diameter must be 3/4" or larger. An adequate ventilation system is required for commercial cooking equipment. Information may be obtained by writing to the National Fire Protection Association, 1 Batterymarch Park, Quincy, MA 02269, www.NFPA.org. When writing, refer to NFPA No. 96.4. These units are manufactured for installation in accordance with ANSZ223.1A (latest edition), National Fuel Gas Code. Copies may be obtained from The American Gas Association, 400 N Capitol St. NW, Washington, DC 20001, www.AGA.org.